

標 示 章		海灣國際科技股份有限公司 Baytek International Technology	文件 編號	
			版次	1.4
			頁次	共 6 頁

BT-OLS-MPSA03W SERIES

POWERLED Module

MR16 Series

Lead (Pb) Free Product – RoHS Compliant

BIT Lighting System

3W MR16 Module

Technical Datasheet

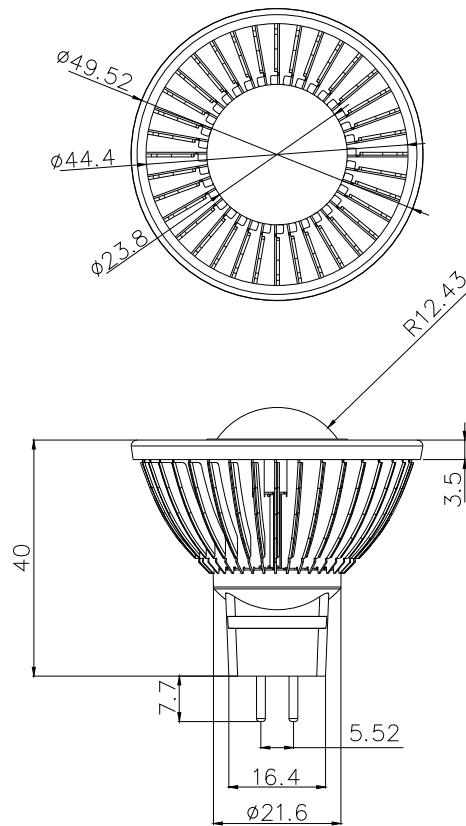
Version 1.4



Features

- **High power LED retrofit lamps**
- **High luminous flux**
- **Min. 70% lumen maintenance after 35,000 hrs**
- **Higher energy efficiency than incandescent and halogen lamps**
- **Cool beam (no UV or thermal radiation)**
- **Very long operating life (up to 100k hours)**
- **Various colors**
- **Viewing angle: 15, 40, or 60 deg**
- **Good color uniformity**

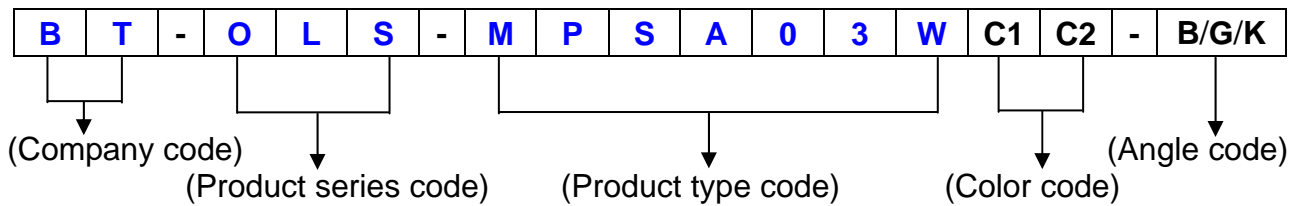
Mechanical Dimensions



Notes

- Do not use in outdoor or wet/humid areas or in totally enclosed fixtures.
- Net weight 0.03 Kg.

MR16 series Nomenclature



Electronics Specifications

Parameters	OLS-MPSA03W SERIES
Electrical	
Input Voltage	12 Vdc/Vac
LEDs	3W (1 LED High Power)
Power Consumption	< 3W
Housing	Aluminum
Base	GU5.3
Optical	
Operating Life	> 35,000 hrs
Beam Angle	15 deg(B) / 40 deg(G) / 60 deg(K)
Environment	
Operation Temperature	-20 ~ +50 °C
Storage Temperature	-40 ~ +60 °C
Operation Humidity	10 ~ 90 %

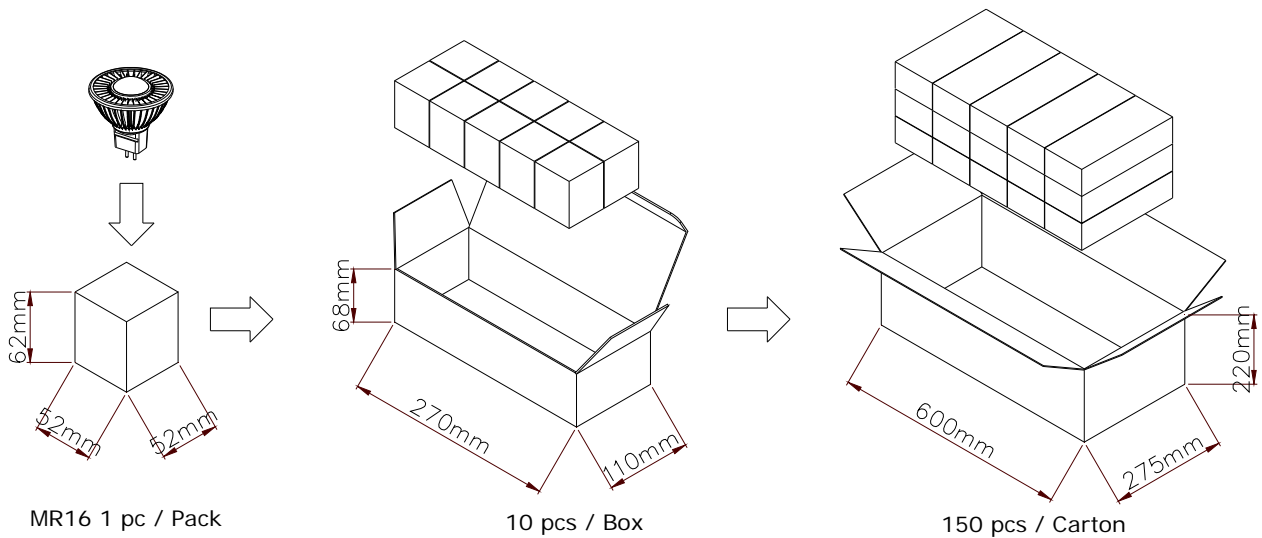
Note : 10~17VDC power supplies are strongly recommended. Compatibility of the LED lamps cannot be guaranteed with all 12VAC electronic transformers, however all major brands work flawless.

Flux Characteristics / Optical Characteristics of MR16

Color	Part Number	Luminous Flux (lm)		Dominant Wavelength or Color Temperature CCT Typ.
		Min.	Typ.	
White	OLS-MPSA03WNW	67.2	110	5500K
Warm White	OLS-MPSA03WWW	67.2	90	3300K
Green	OLS-MPSA03WPG	87.4	110	525 nm
Blue	OLS-MPSA03WNB	18.1	50	465 nm
Yellow	OLS-MPSA03WNY	58.9	84	589 nm
Amber	OLS-MPSA03WNA	58.9	84	608 nm
Red	OLS-MPSA03WNR	58.9	80	625 nm

- BIT maintains a tolerance of $\pm 10\%$ on flux and power measurements.
- BIT maintains a tolerance of $\pm 1\text{nm}$ for dominant wavelength measurements.
- BIT maintains a tolerance of $\pm 5\%$ for CCT measurements.

Packing Pack, Box, Carton Dimension



MR16 (GU5.3)

Pack Dimensions : 52mm(length)*52mm(width)*62mm(height)

Box Dimensions : 270mm(length)*110mm(width)*68mm(height)

Carton Dimensions : 600mm(length)*275mm(width)*220mm(height)

	Weight	Dimension
Unit	0.03 Kg (1 pc net weight)	refer page 3
Pack	0.04 Kg (1 pc with Pack)	52mm(length)* 52mm(width)* 62mm(height)
Box	0.48 Kg (10 pcs with Box)	270mm(length)* 110mm(width)* 68mm(height)
Carton	8.19 Kg (150 pcs with Carton)	600mm(length)* 275mm(width)* 220mm(height)

